

Track System Specification

HTSR-105

— H-Track series

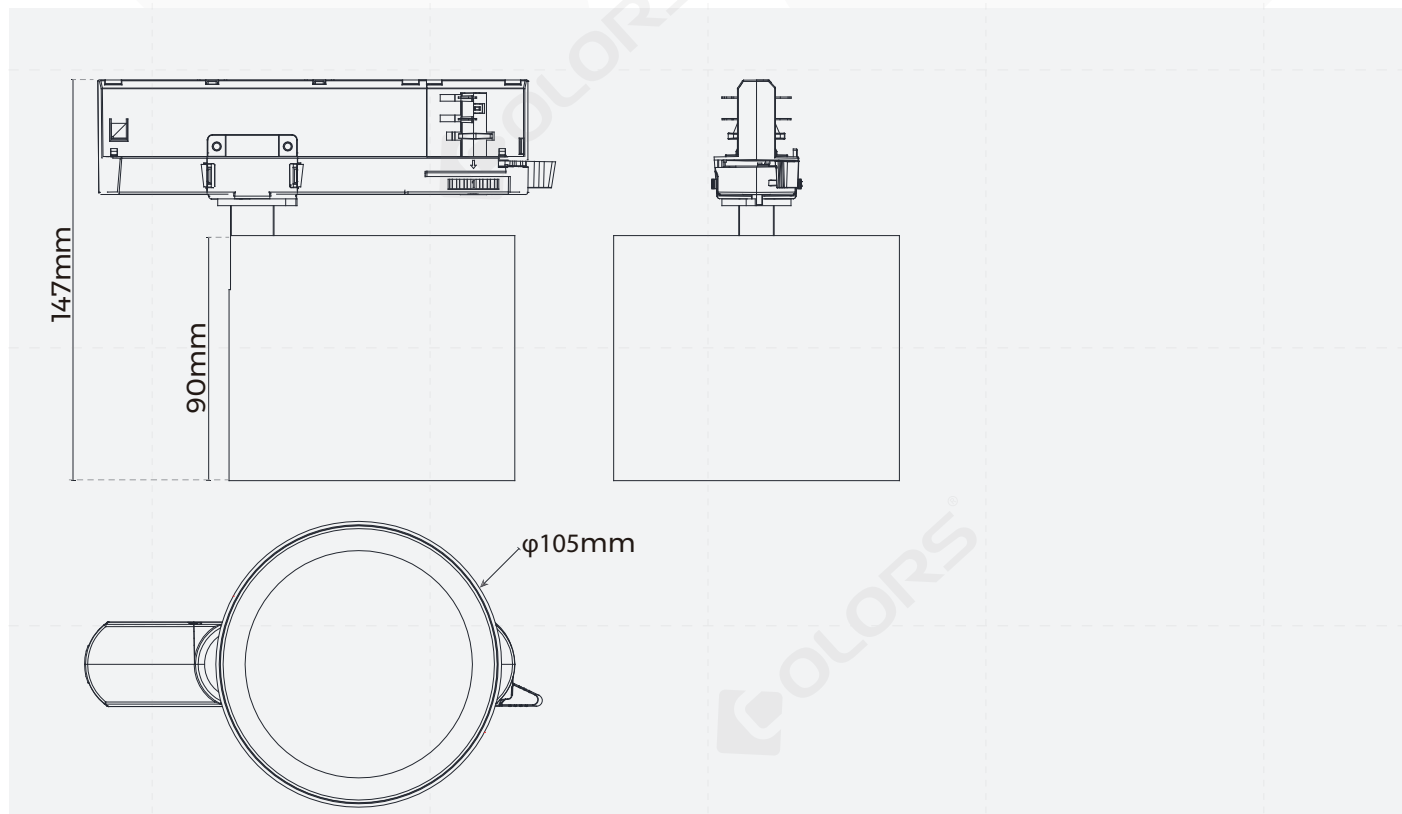


【Basic Parameters】

- Material: AL1070, spraying surface
- Coating: Black (RAL9005)、 White(RAL9003)
- IP grade: IP20
- Beam angle: 24°/40°/60° optional
- CCT: 3000/4000/3000-4000-5000K optional
- CRI: 90
- SDCM(Light source): <3 Step
- Input voltage: AC220-240V
- Working temperature: -15℃ -35℃
- Lighting direction: Downward
- Dimming method: Non-dimming/DALI dimming optional
- Application: Indoor
- Certification: CE, UKCA, ROHS, Reach
- Warranty: 5 years



【Dimension】



[Luminaire Parameters]

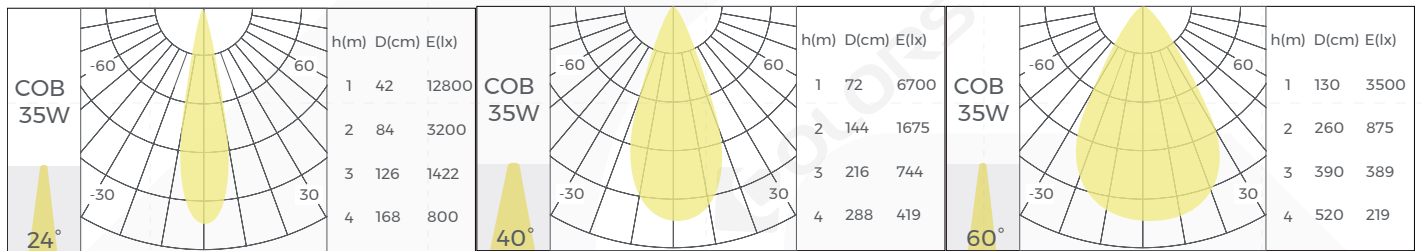
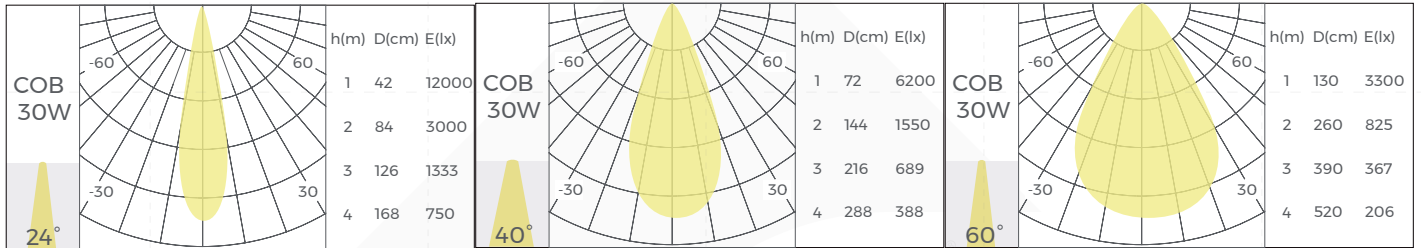
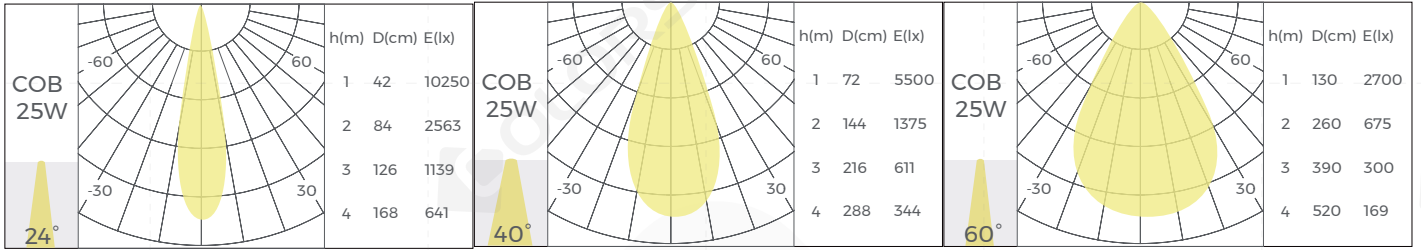
Version	Model	Size	Input Voltage (V)	Type Power (W)	CRI	SDCM	Beam Angle	CCT	Lumen (LM)
Normal	HTSR-105	φ105*90mm	220-240 VAC	25	>90	≤3	24°	4000K	3250
							40°	4000K	3250
							60°	4000K	3250
				30			24°	4000K	3750
							40°	4000K	3750
							60°	4000K	3750
				35			24°	4000K	4200
							40°	4000K	4200
							60°	4000K	4200
3 CCT tunable (Dial switch)	HTSR-105	φ105*90mm	220-240 VAC	35	>90	≤5	24°	3000K	2730
								4000K	2800
								5000K	2730
							40°	3000K	3080
								4000K	3150
								5000K	3080
							60°	3000K	2975
								4000K	3080
								5000K	2975

Note:

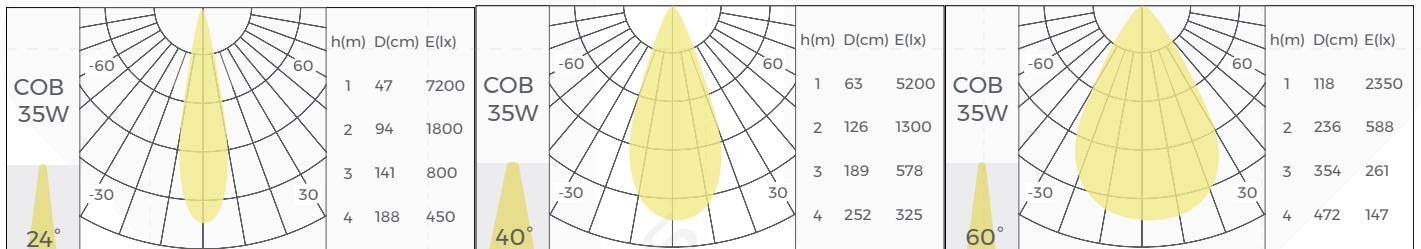
- The above parameters are tested based on the light source with Color Rendering Index Ra90 and 4000K for the Normal version; Luminous efficiency & luminous flux at 3000K = 3000K value × 0.9
- For CCT Tunable version:
The above parameters are tested based on the light source with Color Rendering Index Ra90 and all CCT;
- Assembling either honeycomb or high anti-glare shield will reduces luminous efficacy, UGR and beam angle.
- The tolerance of output data can be vary up to 10%;
- The output data is typical value.

[Optical Parameter]

- Normal



- 3 CCT tunable(Dial switch)



[Packing]

Model	Size (mm/box)	Quantity /box	Quantity /carton	NW (kg/box)	NW (kg/carton)	GW (kg/carton)	Size (mm/carton)
TLS-HTSR105-XXX	275*140*195	1	8	0.7	5.6	6.5	570*580*220

[Attentions]

- 1、 Non-professionals are prohibited from installing, disassembling and repairing the product.
- 2、 Avoid scratching, distortion and irregular bending of the product during installation; otherwise it may cause irreparable damage to the product.
- 3、 Please use professional cutting tools when cutting
- 4、 Do not use any acid or alkaline adhesive to fix products
- 5、 The product is only suitable for indoor dry places, can not be used in outdoor, seaside or wet environment.